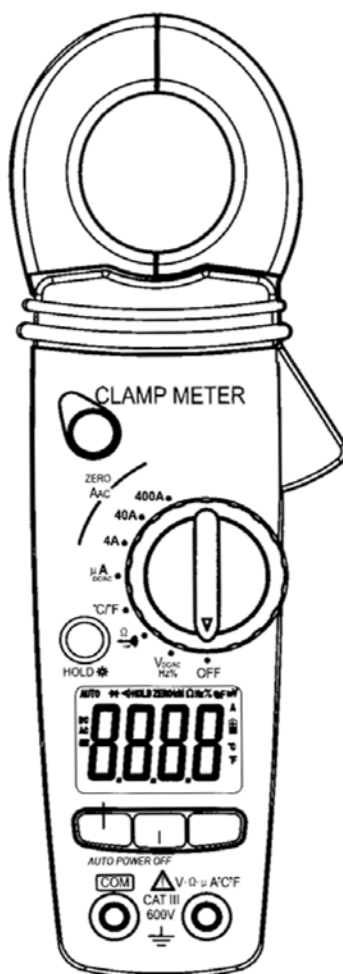


OPERATING INSTRUCTION AC CLAMP METER



OPERATING INSTRUCTION

AC CLAMP METER

Safety

International Safety Symbols



This symbol, adjacent to another symbol or terminal, indicates the user must refer to the manual for further information.



This symbol, adjacent to a terminal, indicates that, under normal use, hazardous voltages may be present



Double insulation

SAFETY NOTES

- Do not exceed the maximum allowable input range of any function
- Do not apply voltage to meter when resistance function is selected.
- Set the function switch OFF when the meter is not in use.

WARNINGS

- Set function switch to the appropriate position before measuring.
- When measuring volts do not switch to current/resistance modes.
- Do not measure current on a circuit whose voltage exceeds 240V.
- When changing ranges using the selector switch always disconnect the test leads from the circuit under test.
- Do not exceed the maximum rated input limits.

CAUTIONS

Improper use of this meter can cause damage, shock, injury or death. Read and understand this user manual before operating the meter.

Always remove the test leads before replacing the battery.

Inspect the condition of the test leads and the meter itself for any damage before operating the meter. Repair or replace any damage before use.

Use great care when making measurements if the voltages are greater than 25VAC rms or 35VDC. These voltages are considered a shock hazard.

Remove the battery if the meter is to be stored for long periods.

Always discharge capacitors and remove power from the device under test before performing Diode, Resistance or Continuity tests.

- Voltage checks on electrical outlets can be difficult and misleading because of the uncertainty of connection to the recessed electrical contacts. Other means should be used to ensure that the terminals are not "live".
- If the equipment is used in a manner not specified by the manufacturer, the protection provided by the equipment may be impaired.

		1000 to 1300°F	± (3.0% reading + 10°F)
--	--	----------------	-------------------------

Clamp size	Opening 0.9" (23mm) approx
Diode Test	Test current of 0.3mA typical; Open circuit voltage 1.5V DC typical.
Continuity Check	Threshold <100Ω; Test current < 1mA
Low Battery Indication	" " is displayed
Overrange Indication	"OL" is displayed
Measurements Rate	2 per second, nominal
Input Impedance	7.8MΩ (VDC and VAC)
Display	4000 counts LCD
AC Current	50/60Hz (AAC)
AC Voltage bandwidth	50/200Hz (VAC)
Operating Temperature	14 to 122°F (-10 to 50°C)
Storage Temperature	-14 to 140°F (-30 to 60°C)
Relative Humidity	90%(0°C to 30°C); 75%(30°C to 40°C); 45%(40°C to 50°C)
Altitude	Operating: 3000m; Storage 10,000m
Over voltage	Category III 600V
Battery	Two 1.5V "AAA" Batteries
Auto OFF	approx. 30 minutes
Dimensions/Weight	200x50x35mm/200g
Safety	For indoor use and in accordance with Overvoltage Category II, Pollution Degree 2. Category II includes local level, appliance, portable equipment, etc., with transient overvoltages less than Overvoltage Cat. III

Operation

NOTICES: Read and understand all **warning** and **precaution** statements listed in the safety section of this operation manual prior to using this meter. Set the function select switch to the OFF position when the meter is not in use.

AC Current Measurements

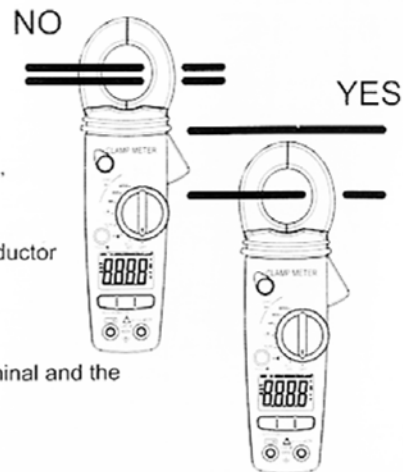
WARNING: Ensure that the test leads are disconnected from the meter before making current clamp measurements.

1. Set the Function switch to the **400 or 40A or 4A** range. If the range of the measured is not known, select the higher range first then move to the lower range if necessary.
2. Press the trigger to open jaw. Fully enclose one conductor to be measured.

The clamp meter LCD will display the reading.

DC/AC Voltage Measurements

1. Insert the black test lead into the negative **COM** terminal and the red test lead into the positive **V** terminal.
2. Set the function switch to the **V** position.
3. Select AC or DC with the **MODE** button.



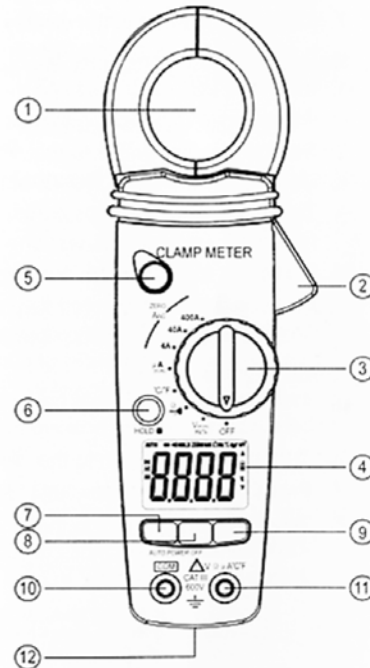
Specifications

Function	Range & Resolution	Accuracy (% of reading)	
DC Current	400.0µA	± (1.5% + 3 digits)	
	4000µA		
AC Current	400.0µA	± (2.0% + 5 digits)	
	4000µA		
	4.000 AAC	± (2.5% + 10 digits)	
	40.00 AAC		
400.0 AAC	± (2.0 % + 5 digits)		
DC Voltage	400.0 mVDC	± (0.8% + 3 digits)	
	4.000 VDC		
	40.00 VDC	± (1.5% + 3 digits)	
	400.0 VDC		
AC Voltage	600 VDC	± (2.0% + 3 digits)	
	400.0 mVAC	± (0.8% + 10 digits)	
	4.000 VAC		
	40.00 VAC	± (2.0% + 5 digits)	
	400.0 VAC		
Resistance	600 VAC	± (2.0% + 5 digits)	
	400.0 Ω	± (1.0% + 4 digits)	
	4.000K Ω		
	40.00K Ω	± (1.5% + 2 digits)	
	400.0K Ω		
4.000M Ω	± (2.5% + 3 digits)		
Capacitance	40.00M Ω	± (3.5% + 5 digits)	
	40.00nF	± (5.0% reading + 10 digits)	
	400.0nF	± (3.0% reading + 5 digits)	
	4.000 µ F	± (3.5% reading + 5 digits)	
	40.00 µ F	± (5.0% reading + 5 digits)	
Frequency	100.0 µ F	± (5.0% reading + 5 digits)	
	5.000Hz	± (1.5% reading + 5 digits)	
	50.00Hz	± (1.2% reading + 2 digits)	
	500.0Hz	Sensitivity: 5~5kHz:10Vrms min. 5kHz~150kHz:40Vrms min. @ 20% to 80% duty cycle	
	5.000kHz		
50.00kHz			
Duty Cycle	150.0kHz	± (1.2% reading + 2 digits)	
	0.5 to 99.0%	Pulse width: 100µs - 100ms, Frequency: 5Hz to 150kHz Sensitivity: 5~5kHz:10Vrms min.5kHz~150kHz:40Vrms min. @ 20% to 80% duty cycle	
Temp (type-K) (probe accuracy not included)	-50.0 to 400.0°C	-50.0 to -20.0°C	± 7°C
		-20.0 to 400.0°C	± (3.0% reading + 3°C)
	400 to 1300 °C	400 to 1000°C	± (3.0% reading + 5°C)
		1000 to 1300°C	
	-58.0 to 400.0°F	-50.0 to 0°F	± 14°F
		0 to 400.0°F	± (3.0% reading + 7°F)
400 to 2372 °F	400 to 1000°F		

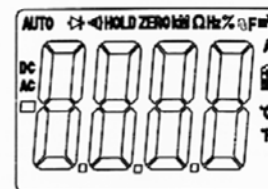
Input Limits	
Function	Maximum Input
A AC	400A
μ A DC, μ A AC	200mA 250V fast acting fuse
V DC, V AC, Frequency, Duty Cycle,	600V DC/AC
Resistance, Diode, Continuity , Capacitance, Test	250V DC/AC
Temperature ($^{\circ}$ C/ $^{\circ}$ F)	60V DC/24V AC

Meter Description

1. Current clamp
2. Clamp trigger
3. Rotary Function swith
4. LCD display
5. ZERO button
6. Data Hold and Backlight button
7. Mode select button
8. Range select button
9. Hz/%duty button
10. COM input jack
11. V Ω μ A $^{\circ}$ C/ $^{\circ}$ F jack
12. Battery Cover



1. **AC DC** AC (alternating current) and DC (direct current)
2. **—** Minus sign
3. **8.8.8.8** 4000 count (0 to 3999) measurement reading
4. **AUTO** AutoRange mode
5. **ZERO** ZERO mode
6. **→|** Diode test mode
7. **•)))** Audible Continuity
8. **HOLD** Data Hold mode
9. **$^{\circ}$ C, $^{\circ}$ F, μ , m, V, A, K, M, Ω** , Units of measure list



4. Connect the test leads in parallel to the circuit under test.
5. Read the voltage measurement on the LCD display.

µA DC/AC CURRENT MEASUREMENTS

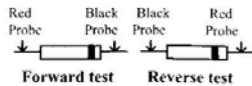
1. Insert the black test lead into the negative **COM** terminal and the red test lead into the positive **µA** terminal.
2. Set the function switch to the **µA** position.
3. Select AC or DC with the **MODE** button.
4. Remove power from the circuit under test, then open up the circuit at the point where you wish to measure current.
5. Touch the black test probe tip to the negative side of the circuit. Touch the red test probe tip to the positive side of the circuit.
6. Apply power to the circuit.
7. Read the current in the display.

Resistance and Continuity Measurements

1. Insert the black test lead into the negative **COM** terminal and the red test lead into the positive terminal.
2. Set the function switch to the **Ω** position.
3. Use the multifunction **MODE** button to select resistance.
4. Touch the test probe tips across the circuit or component under test. It is best to disconnect one side of the device under test so the rest of the circuit will not interfere with the resistance reading.
5. For Resistance tests, read the resistance on the LCD display.
6. For Continuity tests, if the resistance is < 100Ω, a tone will sound.

Diode Measurements

1. Insert the black test lead banana plug into the negative **COM** jack and the red test lead banana plug into the positive diode jack.
2. Turn the rotary switch to the **▶•)))** position.
3. Press the **MODE** button until "▶" appears in the display.
4. Touch the test probes to the diode under test. Forward voltage will indicate 0.4V to 0.7V. Reverse voltage will indicate "OL". Shorted devices will indicate near 0mV and an open device will indicate "OL" in both polarities.



Capacitance Measurements

WARNING: To avoid electric shock, disconnect power to the unit under test and discharge all capacitors before taking any capacitance measurements. Remove the batteries and unplug the line cords.

1. Set the rotary function switch to the cap position.
2. Insert the black test lead banana plug into the negative (COM) jack. Insert the red test lead banana plug into the positive (V) jack.
3. Touch the test leads to the capacitor to be tested.
4. Read the capacitance value in the display

Frequency or % duty cycle measurements

1. Set the rotary function switch to the "Hz/%" position.
2. Insert the black lead banana plug into the negative COM jack and the red test lead banana plug into the positive V jack.
3. Select Hz or % duty with the **Hz/%** button.
4. Touch the test probe tips to the circuit under test.
5. Read the frequency on the display.

Temperature Measurements

WARNING: To avoid electric shock, disconnect both test probes from any source of voltage before making a temperature measurement.

1. Set the function switch to TEMP.
2. Insert the Temperature Probe into the negative (COM) and the V jacks, making sure to observe the correct polarity.
3. Select °C or °F with the **MODE** button.
4. Touch the Temperature Probe head to the part whose temperature you wish to measure. Keep the probe touching the part under test until the reading stabilizes (about 30 seconds).
5. Read the temperature in the display. The digital reading will indicate the proper decimal point and value.


WARNING: To avoid electric shock, be sure the thermocouple has been removed before changing to another measurement function

Data Hold

To freeze the LCD meter reading, press the data hold button. The data hold button is located on the left side of the meter (top button). While data hold is active, the **DH** display icon appears on the LCD. Press the data hold button again to return to normal operation.

Note: The HOLD feature will activate when the Backlight is turned on. Press the HOLD key again to exit Hold.

Backlight

The backlight function illuminates the display and is used when the ambient light is too low to permit viewing of the displayed readings. Press the  button for one second to turn the backlight on and press the button a second time to turn the backlight off.

ZERO BUTTON

For ACA and Capacitance Zero & Offset adjustment.

Manual Ranging

The meter turns on in the autoranging mode. Press the **Range** button to go to manual ranging. Each press of the range button will step to the next range as indicated by the units and decimal point location. Press and hold the **Range** button for two seconds to return to autoranging. Manual ranging does not function in the AC Current, Diode and Continuity check functions

Battery Replacement

1. Remove the one rear Phillips head screw
2. Open the battery compartment
3. Replace the Requires two "AAA" batteries (UM4 R03)
4. Re-assemble the meter