

Bombas Recirculadoras



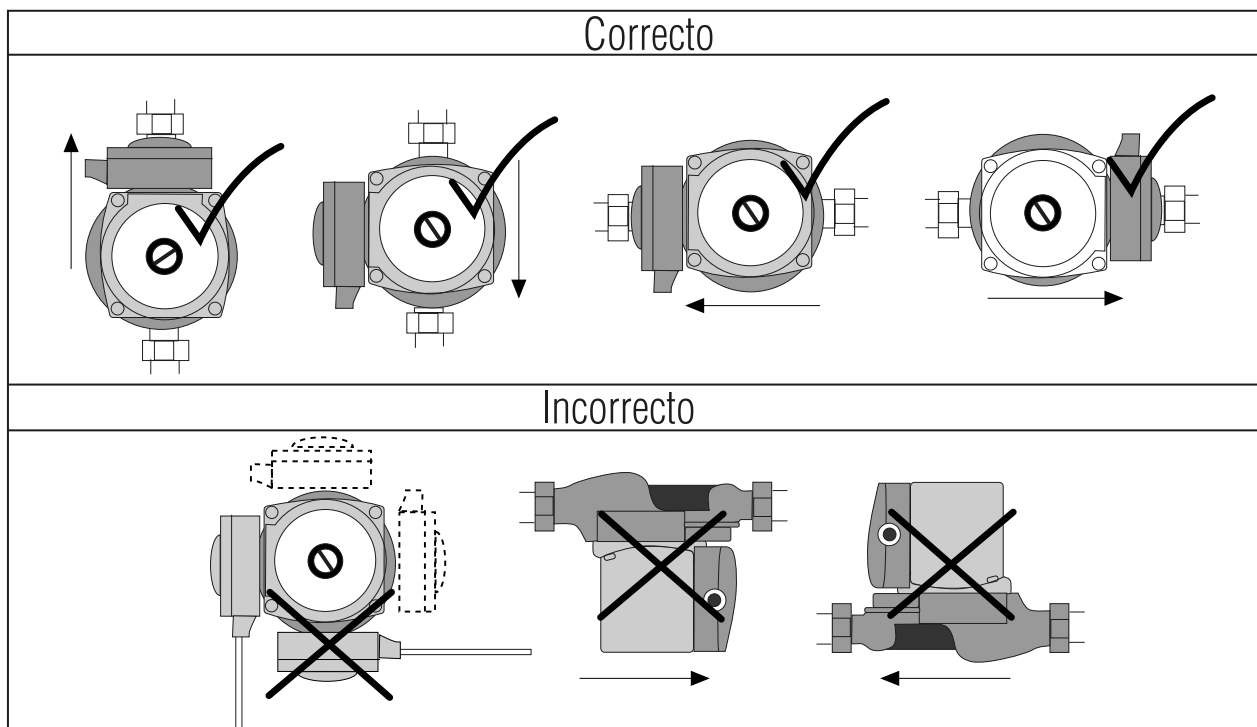
Calefacción

25/65S/180
 25/80S/180
 32/80S/180
 32/12S/220

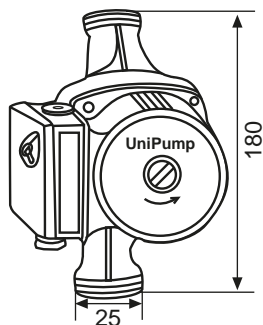
Sanitarias

B25/65S/180
 B32/80S/180

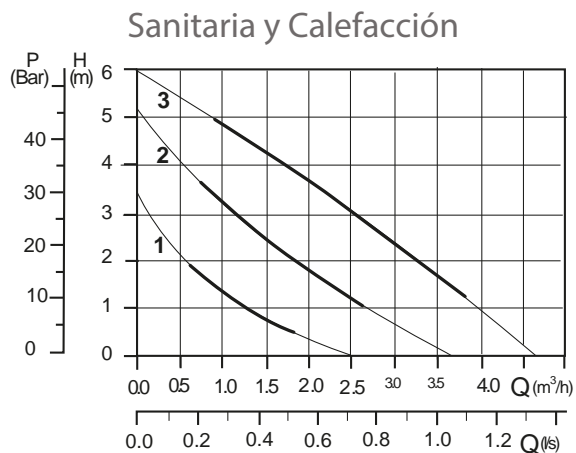
Modo de Instalación



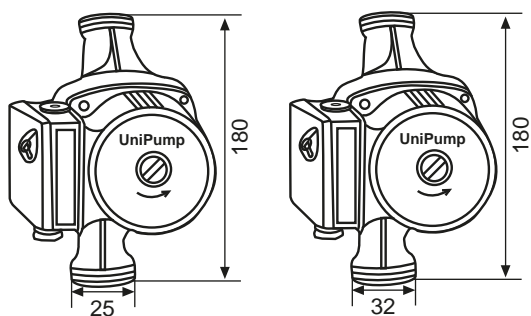
Calef. 25/65S/180
San. B25/65S/180



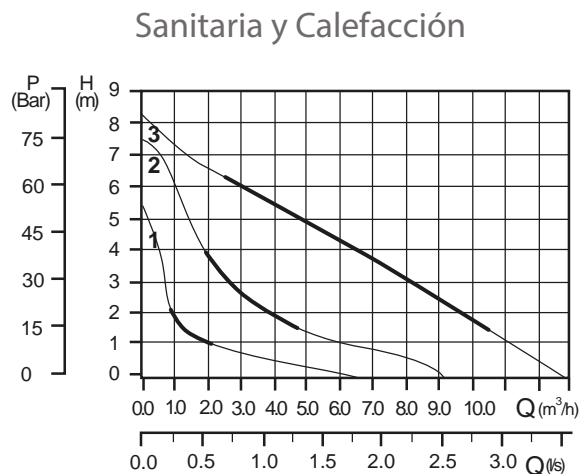
Curva	P1(w)	In(a)
3	100	0.45
2	70	0.35
1	55	0.25



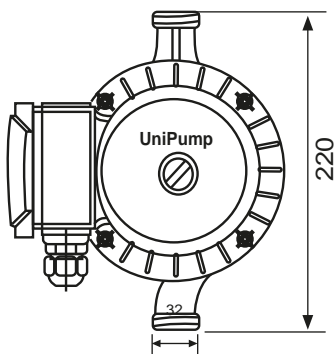
Calef. 25/80S/180
Calef. 32/80S/180
San. B25/80S/180



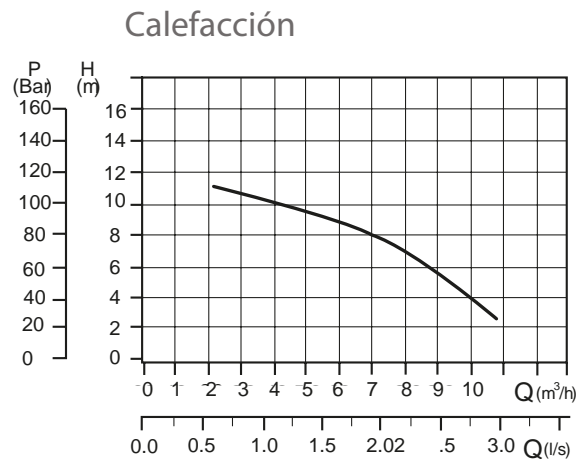
Curva	P1(w)	In(a)
3	245	1.1
2	190	0.85
1	135	0.60



Calef. 32/12S/220



Curva	P1(w)	In(a)
1	500	2.5



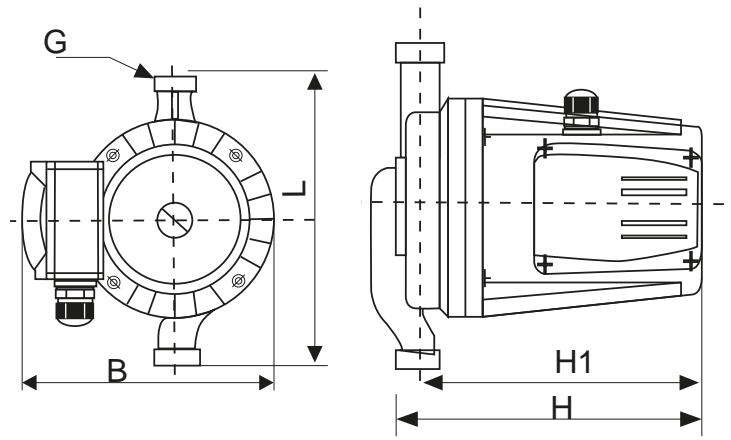
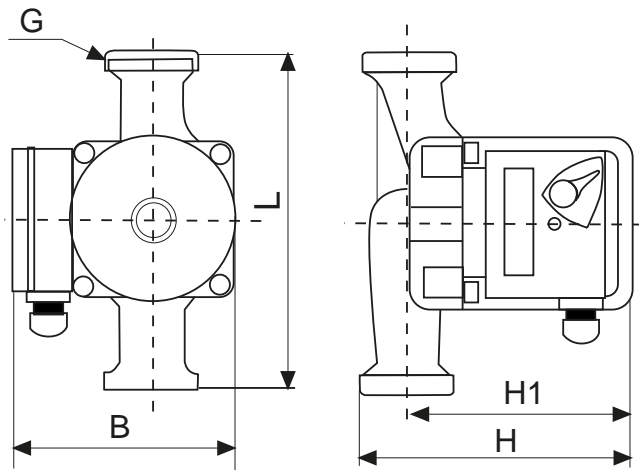
Dimensiones

Modelos

Calefacción
 25/65S/180
 25/80S/180
 32/80S/180

Sanitarias
 B25/65S/180
 B25/80S/180

Calefacción
 32/12S/220



Medidas (mm.)

	Código	Modelo	Medidas (mm.)					Peso (kg)
			H	H1	L	G	B	
Calef.	BBU9521704	25/65S/180	130	105	180	1"	130	2.7
	BBU9521948	25/80S/180	130	105	180	1"	130	2.7
	BBU9521944	32/80S/180	160	130	180	1 1/4"	150	4.2
	BBU9521946	32/12S/220	234	185	220	2"	167	8.4
San.	BBUPS2565B	B25/65S/180	130	105	180	1"	130	2.7
	BBUPS2580B	B25/80S/180	160	130	180	1"	150	4.2